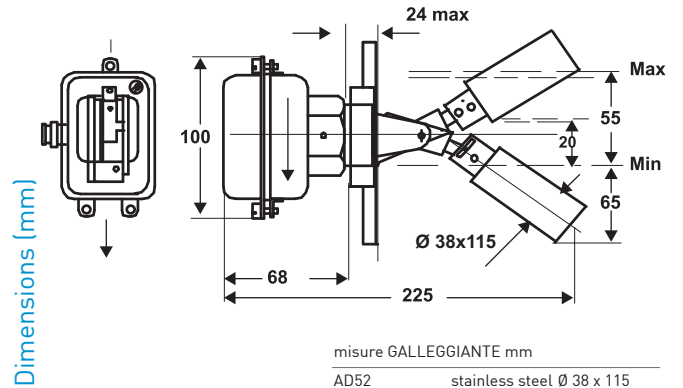


AD52

Magnetic level controls for under pressure systems up to 10 bar

Suitable to control and monitor the fluid level in open and under pressure tanks up to 10 bars. Used in installations with autoclaves to control the filling pump or automatically restore the air vessel.



misure GALLEGGIANTE mm	
AD52	stainless steel Ø 38 x 115
AD52P	plastic Ø 38 x 70
AD52PS1	plastic Ø 30 x 100

	Float type	Level differential mm	Maximum operating pressure	Maximum liquid temperature	Connection	Protection degree	Disponibilità
AD52	stainless steel	20 ÷ 55	10 bar	110 °C	G 1 1/4	IP54	in stock
AD52P	plastic	20 ÷ 55	10 bar	100 °C *	G 1 1/4	IP54	in stock
WITH G1" THREADED CONNECTION, FLOAT IN NON-TOXIC THERMOPLASTIC RESIN Ø 30X100							
AD52PS1	plastic	20 ÷ 55	10 bar	100 °C *	G 1	IP54	on request

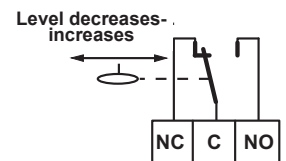
* Recommended for using to control the water with temperature not more than 85°C

ELECTRICAL FEATURES

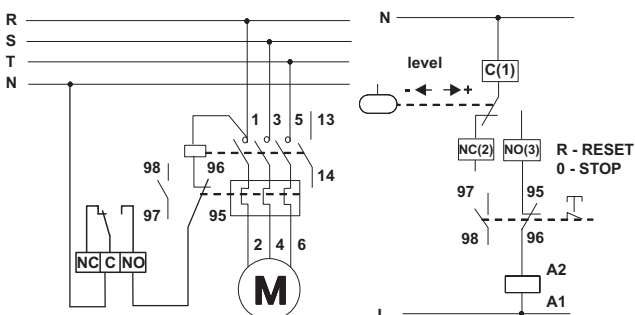
SPDT microswitch.

Electrical connection with 6,35 Faston (supplied).

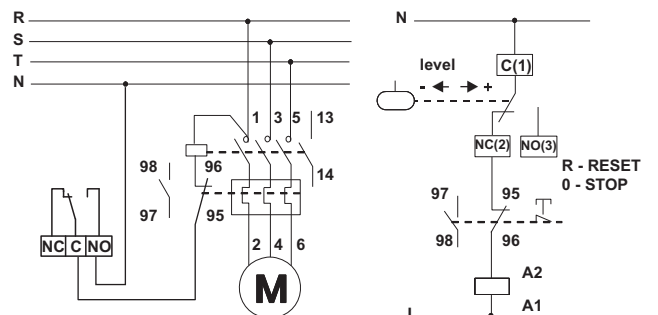
Nominal insulation tension	Ui 380Va.c.
Continuous duty nominal current	Ith 10A
Operating nominal current Ie:	220V- 250Va.c.
Resistive load	AC-12 - 10A
Inductive load	AC-15 - 3A
Direct current	DC-13 0,2A -



ELECTRICAL WIRING FOR EMPTYING PUMP



ELECTRICAL WIRING FOR FILLING PUMP



HOMOLOGATION AND STANDARDS

Conformity with CEI- EN 60947-5-1 standards.

INSTALLATION

AD52-AD52P Threaded connection male G 1 1/4 , 36 mm spanner.

AD52PS1 Threaded connection male G 1, 36 mm spanner .

OPERATION

Operation by means of repulsion of two permanent magnets in opposition.

Controlled liquid must have a specific gravity from 0,9 to 1,1 kg/dm³.

For drinking water control: the recommended maximum temperature it is 85°C.

When level increases: C-NC opens, C-NO closes.

FEATURES

Shock-proof thermoplastic case with self-retaining screws.

AD52 - float in stainless steel Ø 38x70.

AD52P - non-toxic thermoplastic resin float Ø 38x70.

Possibility to choose between two fixed level differentials.

Body made of brass alloys.

Output connections with shock-proof thermoplastic cable gland G 3/8.

Storage and transport temperature: -35 ÷ 70°C.

Unit weight: 0,6 Kg.

ACCESSORIES

code EAD01

Float in stainless steel Ø 38x115 mm.

WIRING EXAMPLE

CONNECTION SCHEME FOR AUTOMATICALLY RESTORE OF THE AIR SPACE IN THE AUTOCLAVES

