

# EXTRA 2 INOX

STAINLESS STEEL 316L CALORIFIER WITH 2 STAINLESS STEEL EXTRACTABLE HEAT EXCHANGERS



### APPLICATION

Production and storage of domestic hot water (DHW).

### MATERIAL

Stainless Steel 316L suitable for domestic hot water

### HEAT EXCHANGER

N° 2 Stainless steel 316L Antilegionella® heat exchangers (upper exchanger is straight and the lower is bent to the bottom).

### INSULATION

- HARD: High thermal insulation with ecological polyurethane hard foam.

- SOFT: NOFIRE® polyester fleece 100% made of recyclable material, with high thermal insulation. Fire resistance class B-s2d0 according to EN 13501. Grey PVC external lining.

### CATHODE PROTECTION

Magnesium anode - Models > 1500 n° 2 magnesium anodes.

### DRAIN

External confluence through drain connection.

### GASKET- FLANGE PLATE

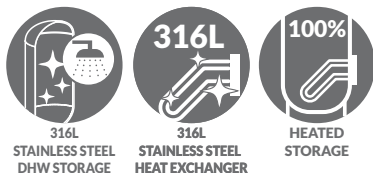
Silicone gaskets suitable for water intended for human consumption (tested according to 98/83/CE), max temperature up to 200°C. Mild steel exchanger head with anticorrosion treatment.

### WARRANTY

5 years - See general sales conditions and warranty

### ACCESSORIES AND SPARE PARTS

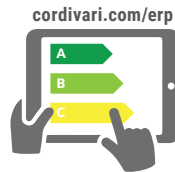
See Accessories section for the entire list.



## EXTRA 2 XXB

HEAT EXCHANGER SURFACE ENERGY EFFICIENCY CLASS

Model	HARD FOAM insulation Art. Nr.	HEAT EXCHANGER SURFACE		ENERGY EFFICIENCY CLASS
		Lower [m <sup>2</sup> ]	Upper [m <sup>2</sup> ]	
<b>200</b>	3082052300222	0,5	0,5	<b>B</b>
<b>300</b>	3082052300223	0,75	0,75	<b>C</b>
<b>500</b>	3082052300224	1,5	1,5	<b>C</b>



On line ErP label tool



## EXTRA 2 XXC

HEAT EXCHANGER SURFACE ENERGY EFFICIENCY CLASS

Model	DISMOUNTABLE SOFT FLEECE insulation Art. Nr.	HEAT EXCHANGER SURFACE		ENERGY EFFICIENCY CLASS
		Lower [m <sup>2</sup> ]	Upper [m <sup>2</sup> ]	
<b>800</b>	3082052300230	2	2	<b>C</b>
<b>1000</b>	3082052300231	3	2	<b>C</b>
<b>1300</b>	3082052300232	3	3	<b>C</b>
<b>1500</b>	3082052300233	3	3	<b>C</b>
<b>2000</b>	3082052300234	4	4	<b>C</b>
<b>2500</b>	3082052300210	5	5	
<b>3000</b>	3082052300212	6	6	
<b>4000</b>	3082052300214	8	8	
<b>5000</b>	3082052300216	10	10	

## ACCESSORIES

### ELECTRIC IMMERSION HEATERS



Mod. Heated volume by electric immersion heater [lit]

<b>200</b>	49
<b>300</b>	76
<b>500</b>	127
<b>800</b>	178
<b>1000</b>	243
<b>1500</b>	288
<b>2000</b>	443
<b>2500</b>	577
<b>3000</b>	577
<b>4000</b>	797
<b>5000</b>	1040

#### MONOPHASE

	1,5 kW	2 kW	3 kW
	5240000000051	5240000000052	5240000000053
Ignition time from 10 °C to 45 °C with electric immersion heaters [min]			
	87	65	44
	136	102	68
	228	171	114
	318	239	159
	436	327	218
	516	387	258
	793	595	396
	1033	775	517
	1033	775	517
	1428	1071	714
	1864	1398	932

#### THREEPHASE

	4 kW	5 kW	6 kW	9 kW	12 kW
	5240000000047	5240000000048	5240000000049	5240000000050	5240000000031
Ignition time from 10 °C to 45 °C with electric immersion heaters [min]					
	//	//	//	//	//
	//	//	//	//	//
	//	//	//	//	//
	//	//	//	//	//
	163	131	109	73	54
	194	155	129	86	65
	297	238	198	132	99
	387	310	258	172	129
	387	310	258	172	129
	535	428	357	238	178
	699	559	466	311	233

### "Easy Control" Electronic Display-mounted on tank

ART. NR.	FOR MODELS
5005000310002	XXC
5005000310003	XXB



### Titanium electronic anode (for stainless steel calorifiers)

See Accessories section



# EXTRA 2 INOX

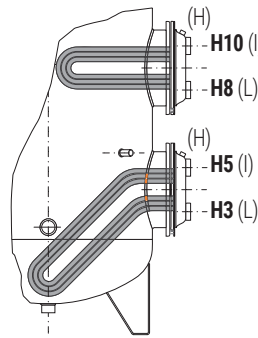
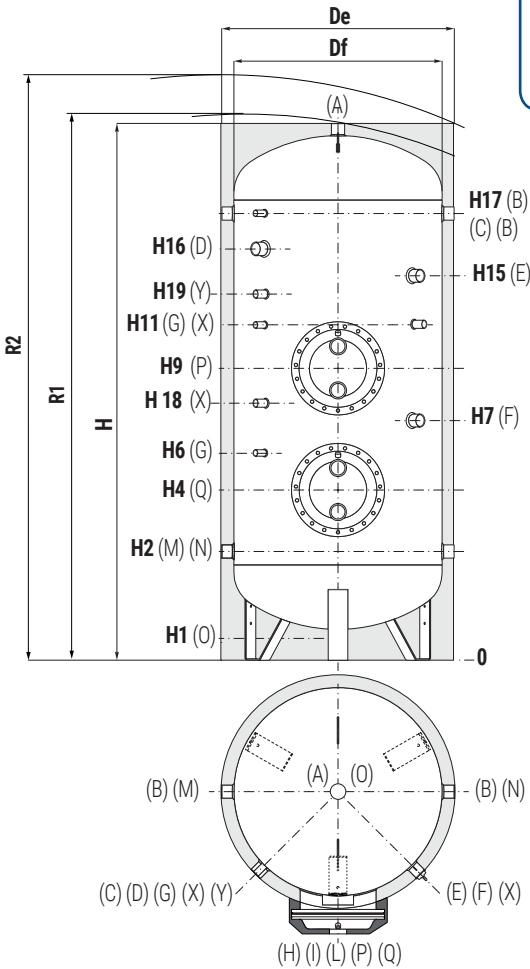
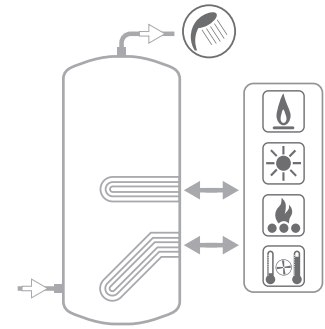
## STAINLESS STEEL 316L CALORIFIER WITH 2 STAINLESS STEEL EXTRACTABLE HEAT EXCHANGERS

STORAGE		HEAT EXCHANGER	
Pmax	Tmax	Pmax	Tmax
6 bar	95 °C	12 bar	110 °C

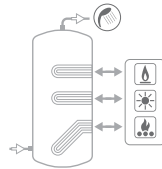


**CORDIVARI Lab**

TÜV Rheinland Energie und Umwelt GmbH states that test procedures and Cordivari LAB are certified conforming to European standard EN 15332, as indicated by Ecodesign ErP Directive.



Models with 3 extractable heat exchangers available upon request



<b>A</b>	Domestic hot water outlet
<b>B</b>	Recirculation / Domestic hot water outlet 2" F
<b>C</b>	Connection for instrumentation 1/2" F
<b>D</b>	Connection for electric immersion heater
<b>E</b>	Connection for 2nd magnesium anode/Titanium electronic anode 1"1/4 F (only for models > 1500)
<b>F</b>	Connection for magnesium anode/Titanium electronic anode 1" 1/4 F
<b>G</b>	Connection for instrumentation 1/2" F
<b>M</b>	Domestic cold water circuit inlet
<b>N</b>	Alternative domestic cold water circuit inlet or connection for more boilers
<b>L</b>	Primary circuit outlet
<b>I</b>	Primary circuit inlet
<b>O</b>	Drain. For model 1000 connection 1"1/2 F. For models > 1000 1" F
<b>P</b>	Flange
<b>H</b>	Heat exchanger drain 3/8" F
<b>X</b>	Connection for titanium electronic anode 3/4" F (>1300)
<b>Y</b>	Connection for titanium electronic anode 3/4" F (>2500)

Model	Volume [lt]	Df (vers. XXC) (vers. XXC)		De (vers. XXB)	H	R1	R2	H1	H2	H3	H4	H5	H6	H7	H8	H9
		[mm]	[mm]													
200	195	//	//	550	1451	-	1560	81	316	351	401	451	511	701	801	851
300	297	//	//	650	1569	-	1700	149	409	444	494	544	604	794	894	944
500	507	//	//	750	1861	-	2010	141	426	461	511	561	621	811	911	961
800	768	790	1010	//	1943	2008	2190	113	428	473	563	653	713	863	1003	1093
1000	910	800	1020	//	2212	2270	2440	112	437	482	572	662	722	922	1032	1122
1300	1283	950	1210	//	2193	2275	2510	118	433	578	668	758	818	918	1078	1168
1500	1409	1000	1260	//	2177	2266	2520	112	447	592	682	772	832	982	1142	1232
2000	2032	1250	1510	//	2099	2231	2590	134	529	649	754	859	929	1004	1229	1334
2500	2320	1250	1350	//	2299	2396	2670	134	529	649	754	859	929	1049	1249	1354
3000	2925	1250	1350	//	2799	2879	3110	134	529	709	814	919	989	1014	1349	1454
4000	3776	1400	1500	//	2872	2968	3250	117	557	737	842	947	1017	1022	1377	1482
5000	4995	1600	1700	//	2909	3031	3370	94	564	734	839	944	1014	1019	1384	1489

Model	H10	H11	H12	H15	H16	H17	H18	H19	QP	O	BMN	IL	D	A
200	901	961	//	//	1066	1176	//	//	Øi220/Øe300	3/4"	1"1/4	1"	1"1/2	1"1/4
300	994	1054	//	//	1159	1269	//	//	Øi220/Øe300	3/4"	1"1/4	1"	1"1/2	1"1/4
500	1011	1071	//	//	1380	1536	//	//	Øi220/Øe300	3/4"	1"1/4	1"	1"1/2	1"1/4
800	1183	1243	//	//	1382	1538	//	//	Øi300/Øe380	3/4"	1"1/4	2"	1"1/2	1"1/2
1000	1212	1272	//	//	1642	1797	//	//	Øi300/Øe380	3/4"	1"1/2	2"	2"	1"1/2
1300	1258	1318	//	//	1638	1793	//	//	Øi300/Øe380	1"	1"1/2	2"	2"	2"
1500	1322	1382	//	1552	1602	1757	1057	//	Øi300/Øe380	1"	1"1/2	2"	2"	2"
2000	1439	1404	//	1524	1473	1629	1159	//	Øi350/Øe430	1"	2"	2"	2"	2"
2500	1459	1529	//	1794	1710	1879	1179	//	Øi350/Øe430	1"	2"	2"	2"	2"
3000	1559	1629	//	2294	2210	2369	1279	2075	Øi350/Øe430	1"	2"	2"	2"	2"
4000	1587	1657	1980	2302	2225	2397	1307	2090	Øi350/Øe430	1"	2"	2"	2"	2"
5000	1594	1664	1992	2319	2159	2404	1314	2024	Øi350/Øe430	1"	2"	2"	2"	2"